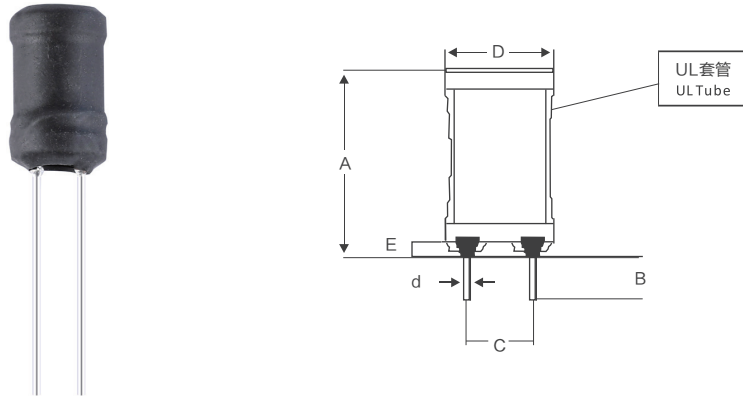


套管工型电感 DR Choke Inductor-Tube

■ 外形图 Outline Drawing



单位 Unit: mm

■ 特征和用途 Features and Usage

工型系列电感器又称为：扼流圈、阻流线圈、差模电感器、滤波器，是用来限制交流电通过的线圈，分高频阻流圈和低频阻流圈。采用开磁路构造设计，有结构性佳、体积小、高Q值、降噪音、低成本等特点，适用于笔记型计算机、喷墨打印机、复印机、显示监视器、宽带调制解调器、游戏机、彩色电视、录放机、摄影机、微波炉、照明设备、汽车电子产品等。

工型电感系列规格齐全，具有品质因素好，自共振频率高，可获得较大的感应电流，漏磁小，降噪效果好等优点，产品符合UL，ROHS，REACH等安规和环保要求，未提到的技术指标，按国标和IEC标准执行，可按客户要求特性制作，具体特性以样品和规格书标准。

H-shaped inductor series is also known as: choke coil, differential mode inductors, filters is used to limit the alternating current through the coil, high frequency choke coil and low frequency choke coil. Adopts open magnetic circuit structure design, good structural, small size, high Q value, noise reduction, low cost and other characteristics, suitable for notebook computer, ink-jet printers, photocopiers, display monitor, broadband modem, game consoles, color TV, VCR, camera, microwave oven, lighting equipment, automotive electronic products etc.

H-shaped inductor variety specification is complete, the quality is reliable, the resonance frequency is high, can obtain larger induced current, magnetic flux leakage is small, the noise reduction effect is good wait for an advantage. Products comply with UL, ROHS, REACH and other safety and environmental requirements, no mention of the technical indicators, according to the national standard and the IEC standards, The specific feature can be designed as customized requirements.

■ 技术要求 Specifications

工作频率 Operating frequency	10kHz-200MHz
工作温度 Operating temperature	40℃ ~ +105℃
储存温度 Storage temperature	25℃ ~ +85℃
储存湿度 Humidity storage	30% ~ 95%

■ 外形尺寸 Dimensions (mm)

规格 Specification	A	B	C	D	d	E
LGT-0406	7.5±0.5	3.5±0.5	2.3±0.3	5.0±0.5	0.5±0.1	Max2.0
LGT-0507	9.0±0.5	3.5±0.5	2.5±0.4	6.0±0.5	0.6±0.1	Max2.0
LGT-0608	9.5±0.5	3.5±0.5	3.0±0.4	6.5±0.5	0.6±0.1	Max2.0
LGT-0709	11.0±0.5	3.5±0.5	4.0±0.5	7.5±0.5	0.6±0.1	Max2.0
LGT-0810	12.5±0.5	3.5±0.5	5.0±0.5	9.0±0.5	0.6±0.1	Max2.0
LGT-1012	14.5±0.5	3.5±0.5	5.2±0.5	11.0±0.5	0.8±0.1	Max2.0
LGT-1014	16.5±0.5	3.5±0.5	6.5±0.5	11.0±0.5	0.8±0.1	Max2.0
LGT-1216	18.0±0.5	3.5±0.5	7.5±0.5	13.0±0.5	0.8±0.1	Max2.0
说明 Description	其B值（脚长）和C值（脚距）以客户定制要求制作。 The B value (lead length) and C (pitch) can be designed as customized requirements.					

■ 直流电阻，线径附表 De resistance, line schedule

在25±2℃环境下测试R_{DC} R_{DC}. In 25±2℃ environment test

规格 Specification	漆包线线径 Wire diameter (mm)	匝数 Ts Turns	直流电阻 RDC (Ω)	额定电流 AMP (mA)
LGT-0406-4.7uH	0.30	15	R≤0.053	630
LGT-0406-50uH	0.21	52	R≤0.34	310
LGT-0406-0.1mH	0.18	74	R≤0.60	230
LGT-0406-0.2mH	0.14	101	R≤1.25	140
LGT-0406-0.5mH	0.11	158	R≤4.1	85
LGT-0406-1.0mH	0.09	228	R≤6.40	57
LGT-0406-2.0mH	0.08	318	R≤11.50	45
LGT-0406-3.0mH	0.07	394	R≤19.50	35
LGT-0507-20uH	0.31	28	R≤0.10	670
LGT-0507-0.2mH	0.17	94	R≤0.93	200
LGT-0507-0.3mH	0.15	112	R≤1.37	160
LGT-0507-0.6mH	0.14	158	R≤2.75	138
LGT-0507-1.0mH	0.12	205	R≤5.65	100
LGT-0507-3.0mH	0.08	350	R≤15.00	45
LGT-0608-0.1mH	0.25	59	R≤0.40	440
LGT-0608-0.2mH	0.23	86	R≤0.60	370
LGT-0608-0.4mH	0.18	118	R≤1.20	228
LGT-0608-0.5mH	0.18	132	R≤1.50	228
LGT-0608-0.6mH	0.18	148	R≤1.60	228
LGT-0608-1.0mH	0.16	189	R≤2.90	180
LGT-0608-1.3mH	0.14	215	R≤3.50	138
LGT-0608-2.0mH	0.13	267	R≤5.50	120
LGT-0608-2.2mH	0.13	278	R≤6.10	120
LGT-0608-3.0mH	0.12	329	R≤8.50	100

规格 Specification	漆包线线径 Wire diameter (mm)	匝数 Ts Turns	直流电阻 RDC (Ω)	额定电流 AMP (mA)
LGT-0709-1.0mH	0.19	186	$R \leq 1.95$	250
LGT-0709-1.5mH	0.17	226	$R \leq 3.0$	200
LGT-0709-2.0mH	0.17	262	$R \leq 3.5$	200
LGT-0709-2.5mH	0.16	290	$R \leq 5.8$	180
LGT-0810-0.1mH	0.40	53	$R \leq 0.25$	1120
LGT-0810-0.2mH	0.35	75	$R \leq 0.45$	860
LGT-0810-0.4mH	0.3	107	$R \leq 0.65$	630
LGT-0810-0.8mH	0.23	149	$R \leq 1.40$	373
LGT-0810-1.0mH	0.21	166	$R \leq 1.65$	310
LGT-0810-1.3mH	0.21	192	$R \leq 2.15$	310
LGT-0810-2.0mH	0.19	238	$R \leq 3.20$	250
LGT-0810-3.0mH	0.17	291	$R \leq 4.60$	200
LGT-0810-4.0mH	0.15	337	$R \leq 6.75$	160
LGT-0810-6.0mH	0.14	412	$R \leq 9.50$	138
LGT-1012-0.1mH	0.50	47	$R \leq 0.5$	1760
LGT-1012-0.5mH	0.3	104	$R \leq 0.85$	630
LGT-1012-0.6mH	0.3	114	$R \leq 0.95$	630
LGT-1012-1.25mH	0.25	166	$R \leq 1.60$	440
LGT-1012-1.3mH	0.25	169	$R \leq 1.7$	440
LGT-1012-2.0mH	0.21	209	$R \leq 2.6$	310
LGT-1012-3.0mH	0.21	260	$R \leq 3.63$	310
LGT-1012-4.0mH	0.20	301	$R \leq 4.5$	280
LGT-1012-5.0mH	0.18	334	$R \leq 6.05$	228
LGT-1012-6.0mH	0.18	366	$R \leq 7.10$	228
LGT-1012-8.0mH	0.15	421	$R \leq 10.35$	160
LGT-1014-5.0mH	0.21	351	$R \leq 4.50$	310
LGT-1216-0.5mH	0.45	98	$R \leq 0.65$	1420
LGT-1216-1.0mH	0.38	141	$R \leq 0.70$	1010
LGT-1216-3.0mH	0.30	243	$R \leq 1.99$	630
LGT-1216-5.0mH	0.25	313	$R \leq 3.45$	440
LGT-1216-6.0mH	0.25	342	$R \leq 3.85$	440
LGT-1216-7.0mH	0.23	367	$R \leq 4.75$	370

注：匝数仅作参考，偏差不超过 $\pm 25ts$ (1mH以上)， $\pm 20ts$ (1mH以下)， $\pm 10ts$ (0.1mH以下)，具体特性以客户要求定制。

Note: The number of turns for reference only, deviation is less than $\pm 25ts$ ($\geq 1mH$), $\pm 20ts$ ($< 1mH$), $\pm 10ts$ ($< 0.1mH$), can be designed as customized requirements.